

HANDHELD LASERS**LYRA**

GLY005BXX

**532nm**

Nominal Wavelength

CW

Output Type

DPSS

Laser Source Type

The Lyra series green laser pointers are a perfect choice for business meetings, classroom presentations and safe home laser experimentation. Five to ten times more visible than common red laser pointers, the Lyra series are ideal for maximizing visibility, even on bright projection screens, while not compromising safety. Available in three carefully selected finishes to match any style. With the look of a high-end fountain pen and the function of a quality timepiece, the Lyra is great to own and even better to give as a gift!

All of Laserglow's green laser pointers are IR-filtered for safety and employ APC technology to maintain constant output power. APC (Automatic Power Control) is a system that uses an optical feedback loop to ensure stable laser output.

KEY FEATURES

Output Power: 1 mW - 5 mW (model dependent)

Wavelength: 532 nm (green)

Key Feature: High-Quality Build, All AR-coated optics, most models available in 3 finishes

Casing: Solid Brass with pocket clip

Package Includes: Portable laser, batteries, instructions/warranty.

Safety Info: Complies with Class IIIa regulations, contains high-quality IR filter

Duty Cycle: 90 sec. on/20 sec. off

SPECIFICATIONS

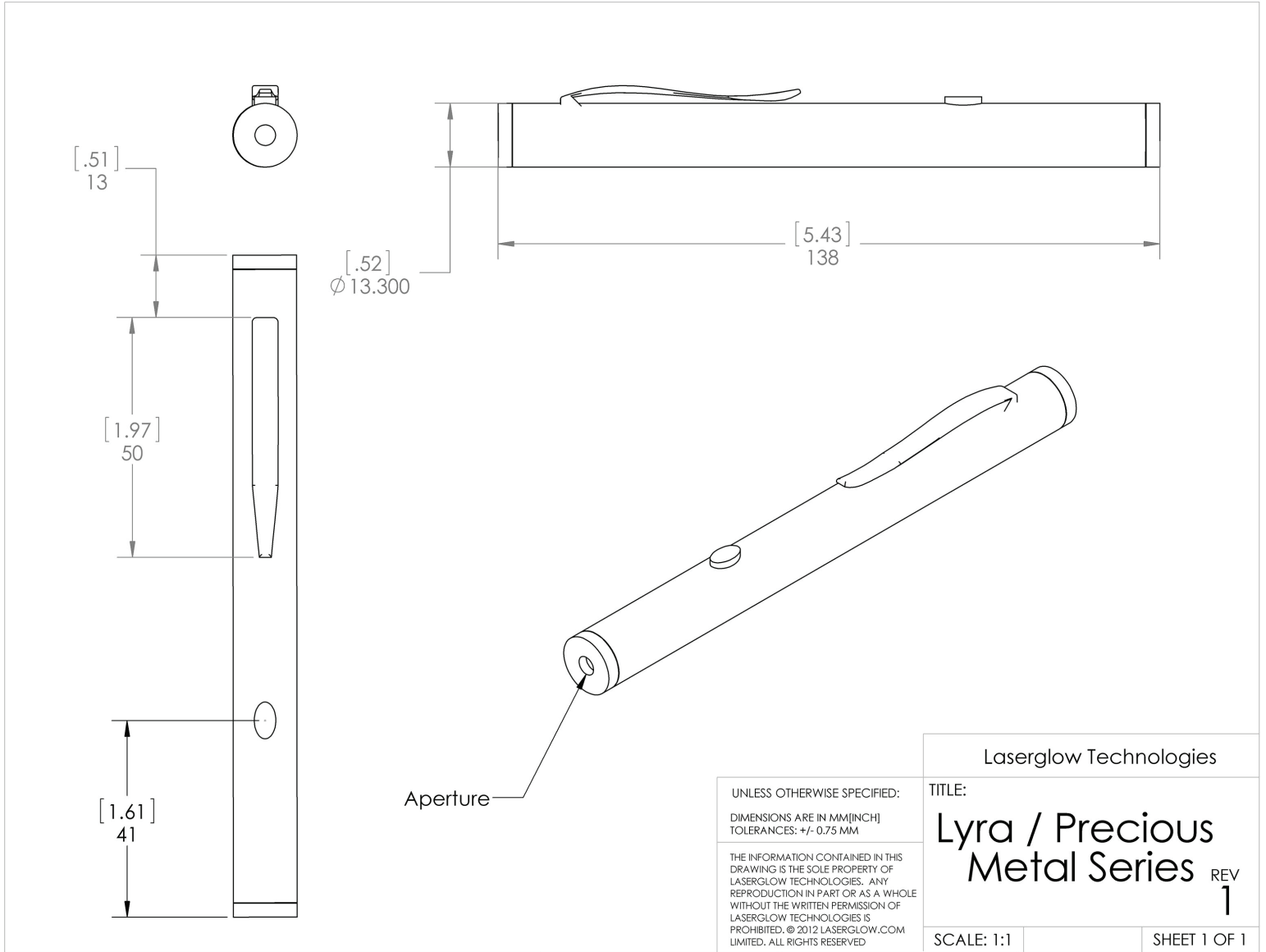
Laser Form Factor	GLY
Output Power (mW)	<5
FDA Safety Class	IIIa
Central Wavelength (nm)	531.65
Divergence (mrad, full angle)	<1.2
Beam Dimensions (mm, 1/e ²)	1.5
Transverse Mode	TEM00
Longitudinal Modes	Multiple
Operating Temperature Range (°C)	15 to 35
Storage Temperature Range (°C)	-10 to 50
Total Power Consumption (W)	2
Max. Power Input Duty Cycle	90 sec. on/20 sec. off
Cooling Method	Passive Air
Standard Warranty (months)	6
MTTF (operational hours)	5000
Weight of Product or Laser Head (kg)	0.04
Dimensions of Product or Laser Head (mm)	136 (l) x 13 (d)
Power Supply	2 x AAA Batteries

CW: All specifications are based on performance at full output power and after the specified warmup period. Output characteristics may change if the laser is run at a different power level.
 Q-Switched: Specifications are based on the laser pulsing at the specified design frequency. Output characteristics may change if the laser is run at a different frequency.

REGULATORY CLASSIFICATION

The model you have selected (GLY005BXX) requires the following safety label(s):



DIMENSIONAL DRAWING - LASER FORM FACTOR: GLY

FOR MORE INFORMATION PLEASE CONTACT

LASERGLOW TECHNOLOGIES
 99 Ingram Dr. Unit B, North York, ON, Canada M6M2L7
 Tel. (416) 729-7976 Fax (716) 322-3510
 sales@laserglow.com www.laserglow.com

E&OE: Data included in this sheet may be subject to change without notice.
 Please confirm critical specifications with our staff prior to ordering.